

Part number

CKA 03 IAPS



Brief description:

angled bulkhead housings with single lever, size "21.21", with threaded entry, Pg11, metal version, IP44, IP66/IP67 degree of protection with CKR 65 kit or CKR 65 D kit.

Product description		Approvals / Standards	
Version	Metallic type	Quality mark	SA type: 12,(type 4/4X only with kit CKR 65 or CKR 65 D), ®, EAC
Series	Angled mounting housings with 1 lever	Conformity	CQC, CE
Product type	with 1 lever in galvanised steel	General ordering information	
Variant	with threaded entry	EAN13 code	8015747026987
Family	CKA metal enclosures	Tariff number	85369095
Size	size "21.21"	Packaging Information	
Technical data		Packaging length	360,00 mm
Operating temperature range (min, max)	-40°C ... +125°C	Packaging height	170,00 mm
Material	metal	Packaging width	305,00 mm
IP degree of protection	IP44 (IP66/IP67 with CKR 65/CKR 65 D kits)	Packaging weight	3,40 kg
Cable entry	Pg11	Packaging volume	18,67 dm³
Further technical details		Packaging description	Carton box
Weight	34,00 g	Packaging quantity	100 Pcs
		Packaging EAN code	8015747233941
		Sub-packaging length	140,00 mm
		Sub-packaging height	66,00 mm
		Sub-packaging width	150,00 mm
		Sub-packaging weight	0,34 kg
		Sub-packaging volume	1,39 dm³
		Sub-packaging description	Carton Box
		Sub-packaging quantity	10 Pcs
		Sub-packaging EAN barcode	8015747026994

Part number

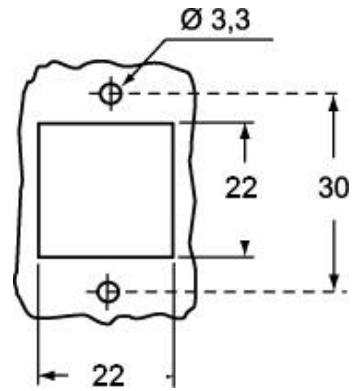
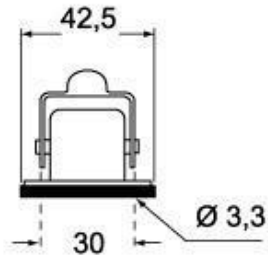
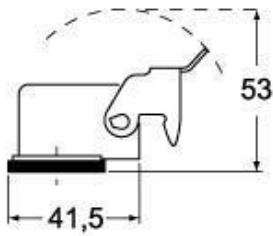
CKA 03 IAPS



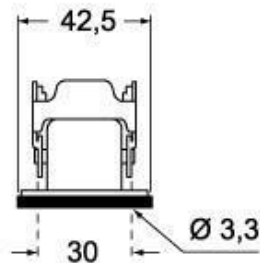
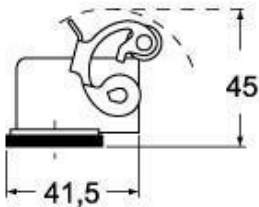
Catalogue drawings

Catalogue drawings

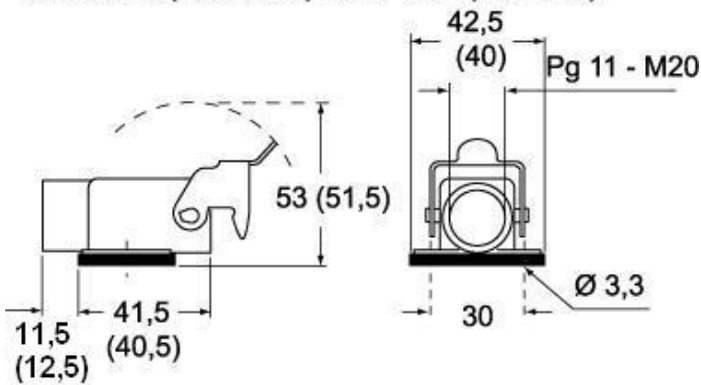
CKA IA



CKAX IA



CKA IAPS (CKA APS) MKA - IAP (MKA AP)



CKAX IAPS (CKAX APS) - MKAX IAP (MKAX AP)

